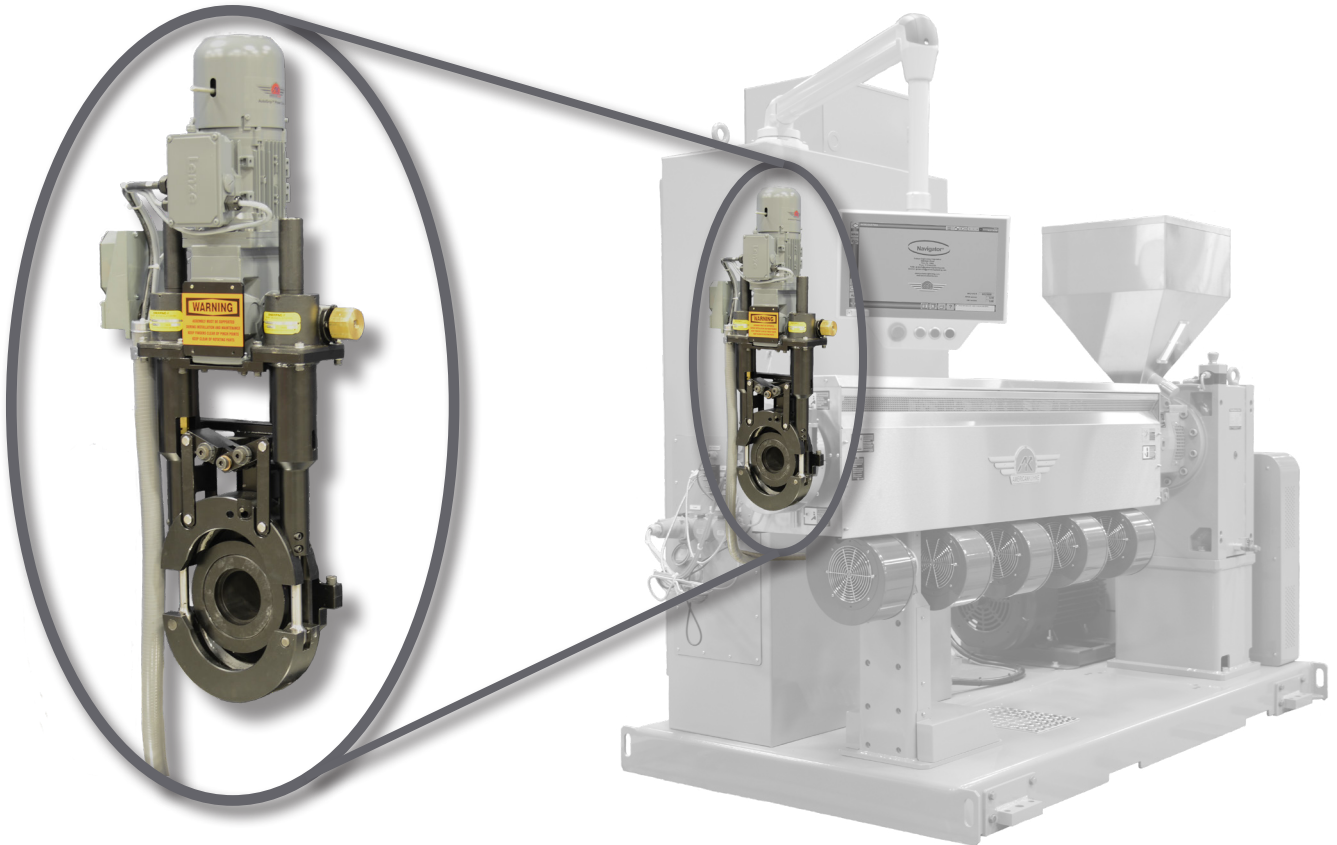


## AutoGrip® Power Clamp

The safe alternative to manual extrusion clamps



For extrusion systems with frequent screw, breaker plate & downstream tooling changes, the AutoGrip® Power Clamp is designed for operator safety & efficiency. Available with a new machine or able to be retrofitted to your existing extruder, it eliminates the need to manually release & tighten clamps during changeover reducing the risk of injury or damage. An added safety feature, it is governed from a few steps away by a two-hand push-button controller.

Engineered with simplicity in mind, the AutoGrip's motor is mounted on top to minimize its exposure to residue & provide easy access to the working components. It is electro-mechanically actuated with an easily accessible manual override.

Benefits of the AutoGrip Power Clamp include:

- Operator safety
- Faster changeover
- No over-tightening
- Simple, clean design
- Electro-mechanical actuation
- Repeatable clamping forces