

Hercules® Accumulator Head Blow Molder



Graham Engineering quality & performance for industrial applications.

- Available in 10+ lb. shot sizes
- Single or dual head configuration
- Easy access press standard
- 1-hour color change
- Production parts within 4-5 cycles
- Platen design for easy mold removal
- Side discharge
- XBM Navigator® control system
- 2 auxiliary hydraulic valves standard

The **Graham Engineering** Hercules® accumulator head machine is designed to be the standard for industrial blow molding applications. It comes with a low profile which allows for easy access to the press.

It's available starting at a 10 lb. shot in single or dual head configuration. The proprietary Graham Engineering spiral diverter offers continuous internal cleaning during production & a 1 hour color change for most materials.

3 inch to 6 inch extruders are available as standard options. The machine has two auxiliary hydraulic valves, standard, with additional valves available.

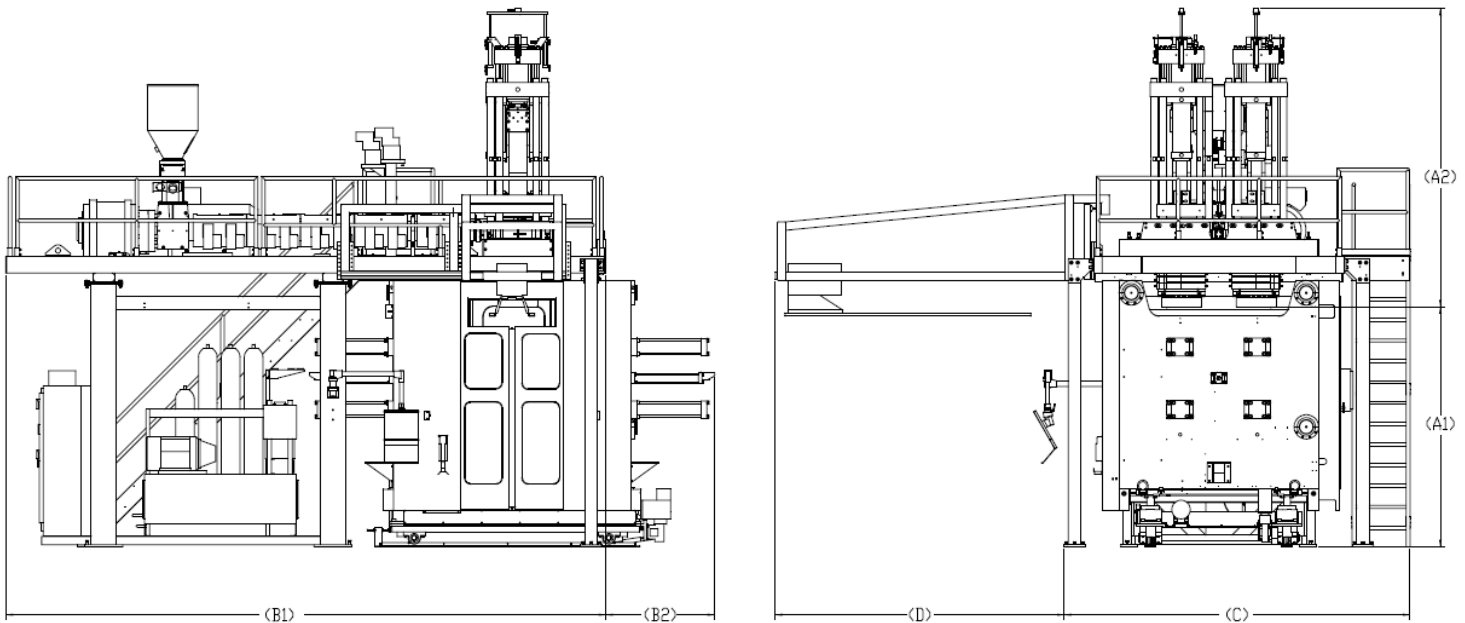


This blow molder features the award-winning **Graham Engineering** XBM Navigator® control system with a 21" touchscreen operator panel.

- Intuitive navigation
- Operator programmable auxiliary valve functions
- Integrated screen map & help pages
- Full machine manuals/documentation on HMI
- 2 keystrokes maximum to any screen
- Closed-loop, proportional hydraulic position control
- 100-point parison programming
- Precise control over wall thickness
- Set value change recording
- Alarm history reports
- Integrated trending
- Internet connection for remote support & trouble shooting
- Security control via password
- Recipe manager



Low profile press for easy access



Press size	48"x48"	60"x60"	60"x74"	74"x60"	96"x60"
(B1) Frame Length	247"	288"	288"	288"	320"
(B2) Daylight Adder Length	26"	53"	53"	53"	46"
(D) Part Take-out Length	100"	139"	139"	139"	165"
(C) Frame Width	142"	167"	167"	167"	208"
(A1) Press Height	102"	102"	116"	102"	115"

Head size	10 series	20 series	30 series	40 series	50 series
(A2) Head Height	120"	114"	130"	132"	140"
(A2) with LP Top Blow Option	132"	128"	144"	146"	154"

All dimensions are approximate