



COMPACT MODULAR MD EXTRUDERS

Our unique Compact Modular MD series extruder is designed specifically for clean room &/or controlled environments. The electrical controls are easily serviced & integral with the extruder frame, providing the benefit of reduced machine width & reduced floor space. The low profile control panel enables the operator's unobstructed view across the clean room production area. This machine can be used as a primary or co-extruder.



The machine is designed with smooth external surfaces & rounded corners that allow for quick and easy wipe down. A melt pump can be fully integrated at the time of order or easily added in the future. This machine is available with an option to include the entire main frame & safety guards to be made of stainless steel in place of standard painted steel. Barrel modules are available in Standard Configuration (STD), Corrosive Resistant (CR), and High Temperature (HT) and are completely interchangeable. The Compact Modular MD Series is offered in Small, Medium & Large sizes.

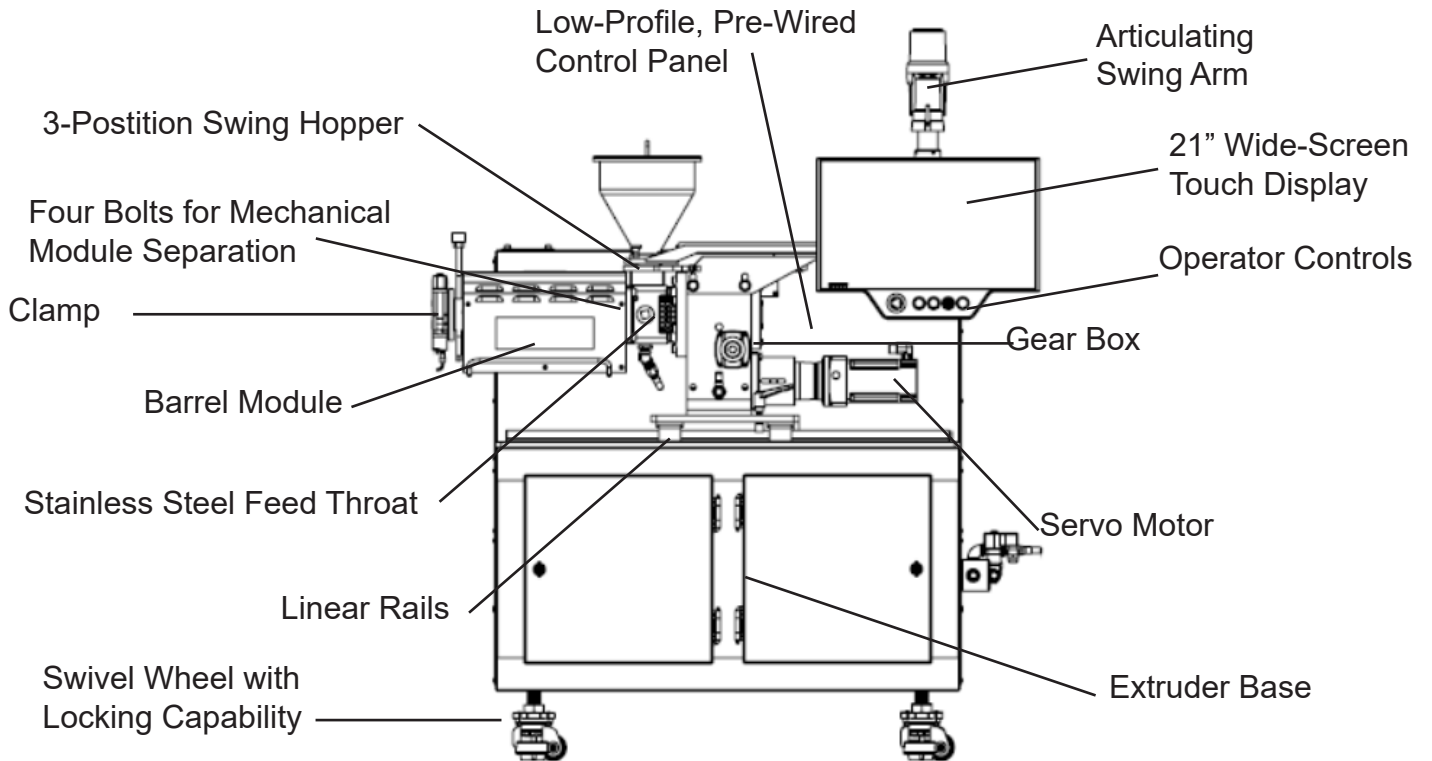
- Small - 1/2" (12.7mm), 5/8" (15.875mm), 3/4" (19.05mm), 1" (25.4mm)
- Medium - 3/4" (19.05mm), 1" (25.4mm), 1 1/4" (31.75mm)
- Large - 1" (25.4mm), 1 1/4" (31.75mm), 1 1/2" (38.1mm), 1 3/4" (44.45mm)



Available with your choice of three levels of our Navigator® system. XC100 Navigator is a powerful, functional & streamlined replacement of discrete controls for operation of a single extruder. XC200 Navigator® offers expanded functionality for one or more extruders in simultaneous operation. XC300 Navigator® system extends robust, intelligent control across a multiple-component extrusion system. HMI text for foreign languages, including Chinese, Japanese & Korean, can be added per customer's request.

With on-line trending, the operator can see instant correlation data including:

- Extruder pressures
- Extruder speed
- Melt temperatures
- Melt pressure control



	Small		Medium		Large	
A	51.83"	1316.48mm	61.83"	1570.48mm	61.83"	1570.48mm
B	49.19"	1249.43mm	53.24"	1352.30mm	53.24"	1352.30mm
C	58.76"	1492.50mm	58.76"	1492.50mm	58.76"	1492.50mm
D	42.25"	1073.15mm	42.25"	1073.15mm	42.25"	1073.15mm
E	9.45"	240.03mm	10.00"	254.00mm	10.00"	254.00mm
F	57.66"	1655.06mm	71.17"	1807.72mm	71.17"	1807.72mm

